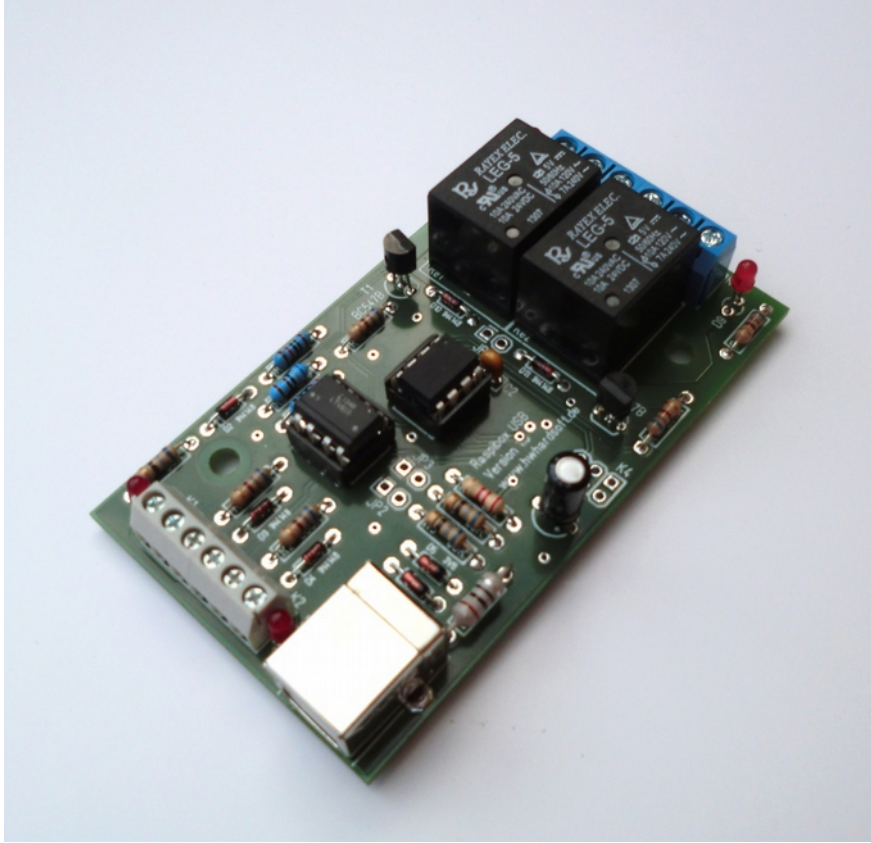


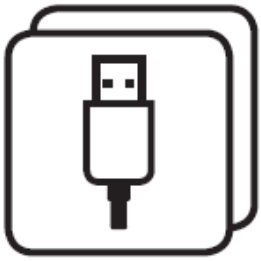
SimpliBox IO

HID Relay IO extension for Linux & Windows PC



Features :

- HID USB device – no drivers needed
- 2 relay outputs 230V / 2A (NO, NC and COM)
- 2 opto isolated inputs 5...24VDC
- Status LEDs for any input and output
- Open source firmware available
- Sample code for Python (for example for Raspberry Pi) available
- Sample code for .NET for Windows PC available
- No additional power supply needed
- Comes in kit form (THT parts only)
- Fits perfect in an optional 3 module cab rail enclosure



SimpliBox IO

HID Relay IO extension for Linux & Windows PC

Part number table:

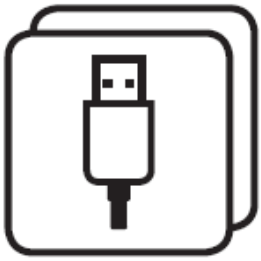
Description	Part-No.
DIY kit without enclosure	SimpliBox IO Standard
DIY kit including enclosure	SimpliBox IO Extended

Applications :

- Home automation
- Industrial control
- Door access and door control
- Temperature controls
- Education
- Internet of Things (IoT)

www.hwhardsoft.de

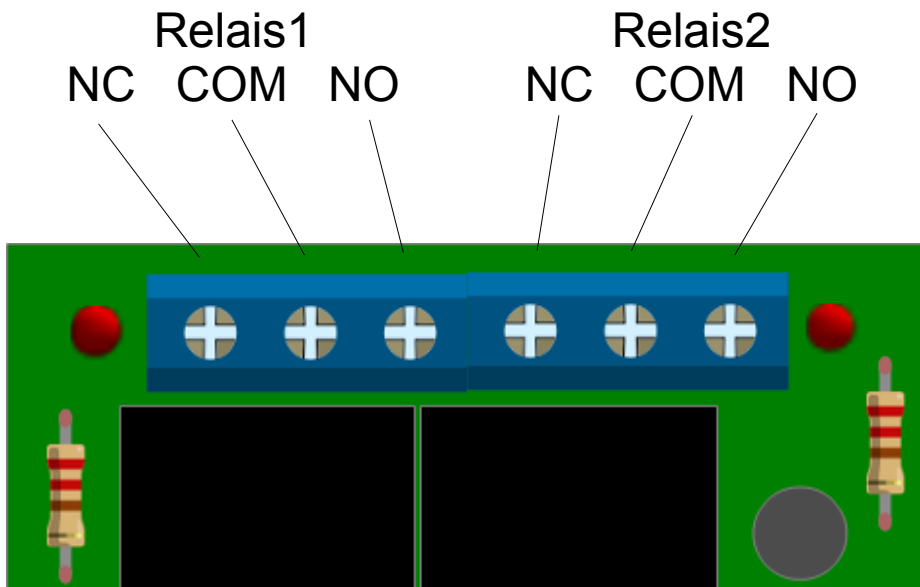




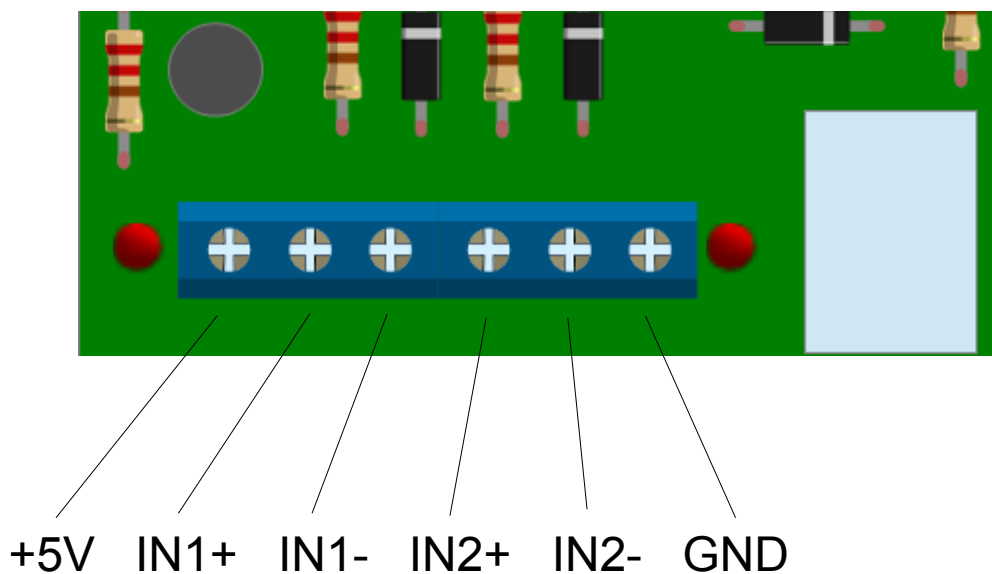
SimpliBox IO

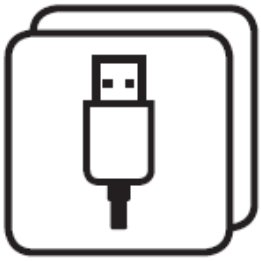
HID Relay IO extension for Linux & Windows PC

Outputs:



Inputs :

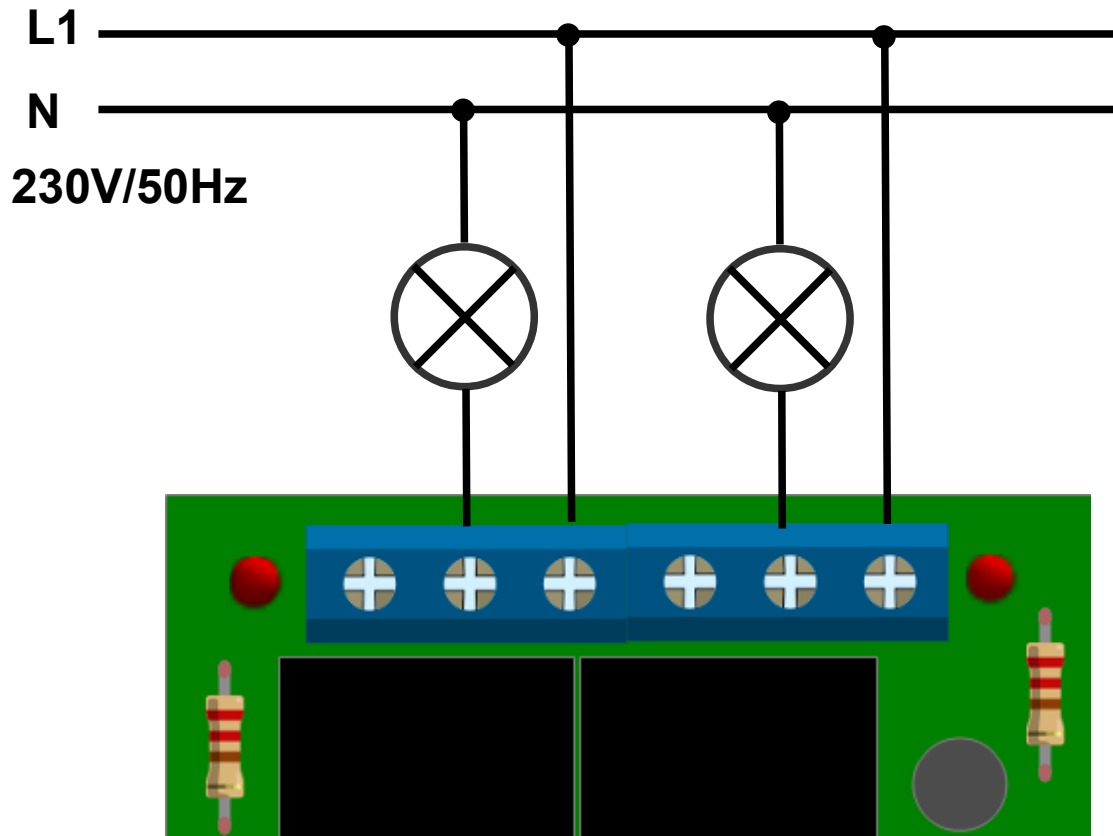


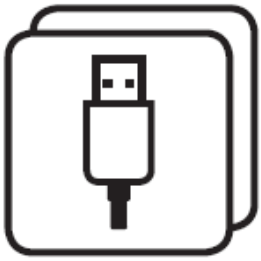


SimpliBox IO

HID Relay IO extension for Linux & Windows PC

Application example - lamp control:

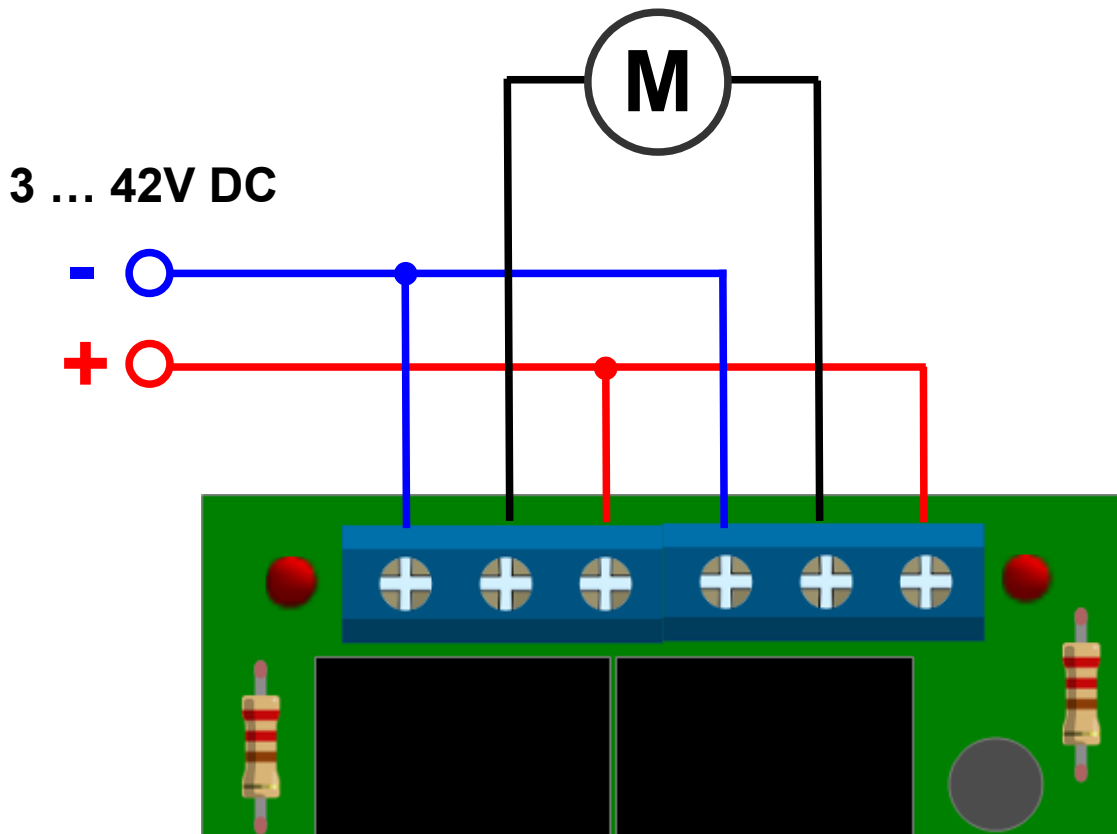


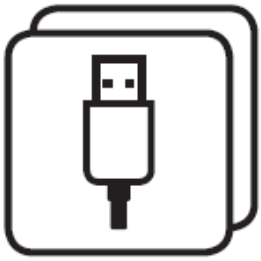


SimpliBox IO

HID Relay IO extension for Linux & Windows PC

Application example – DC motor control:

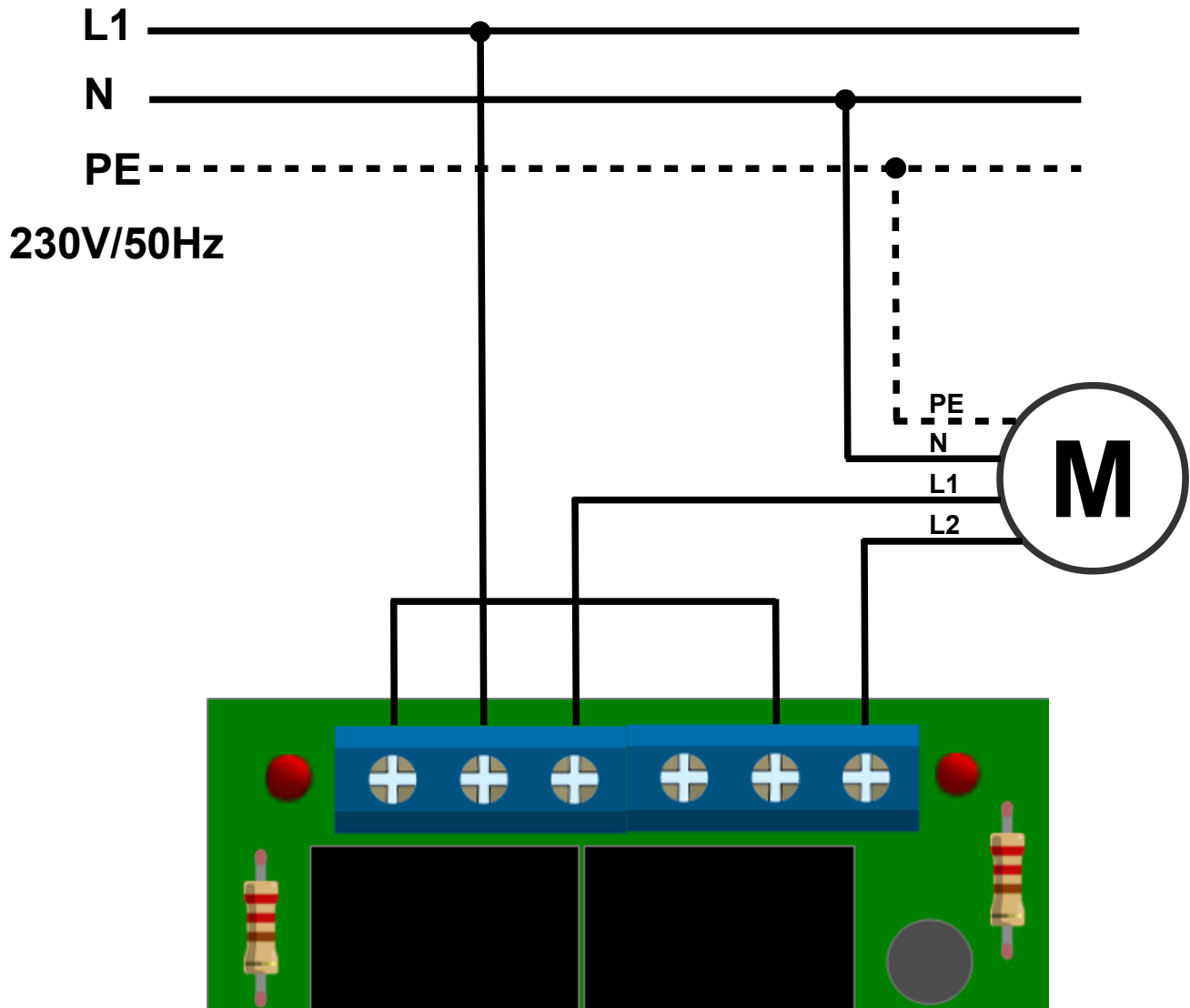


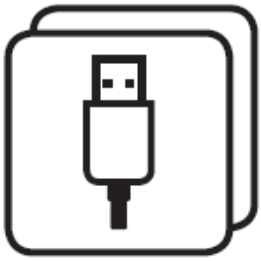


SimpliBox IO

HID Relay IO extension for Linux & Windows PC

Application example – AC motor control for blinds:





SimpliBox IO

HID Relay IO extension for Linux & Windows PC

Application example – potential-free contacts:

