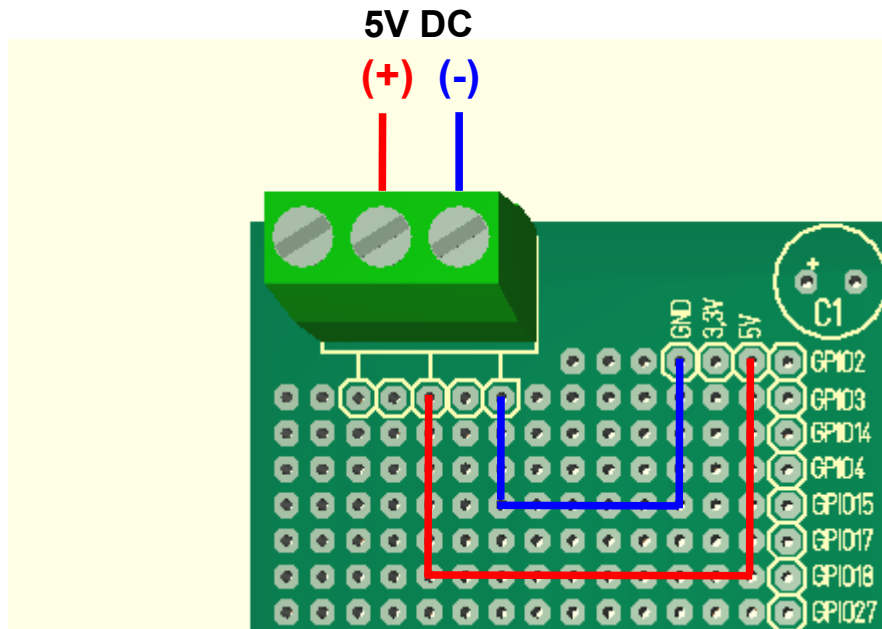


# RaspiBox Open Plus

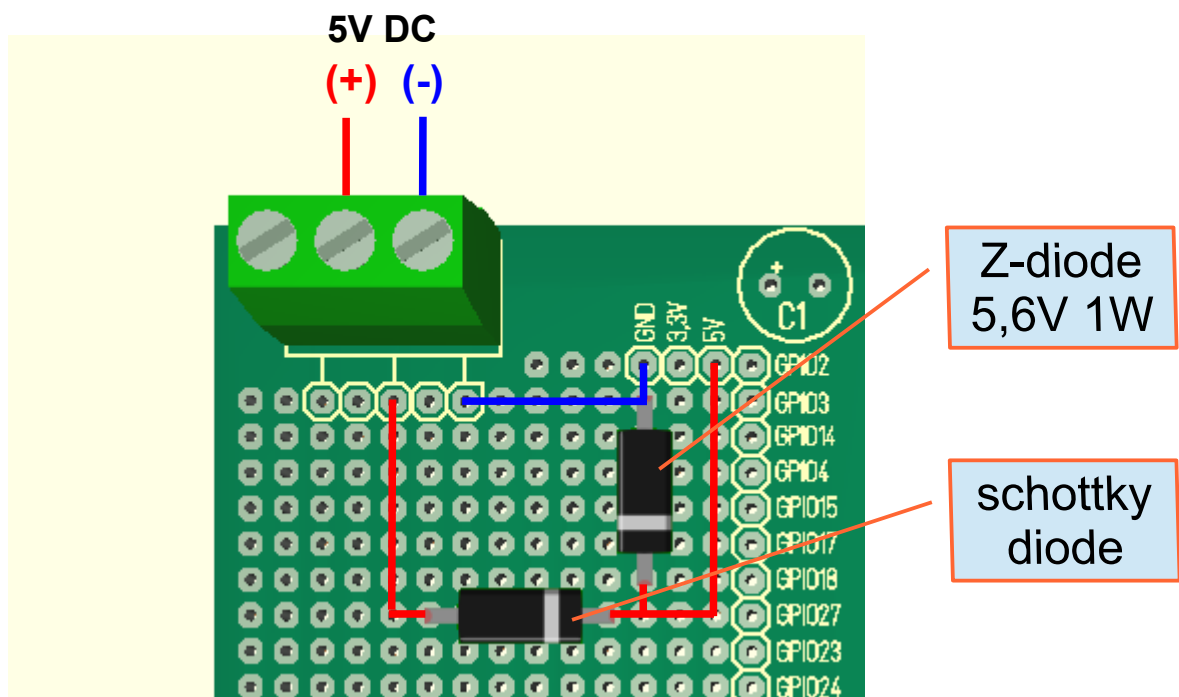
## Application Note

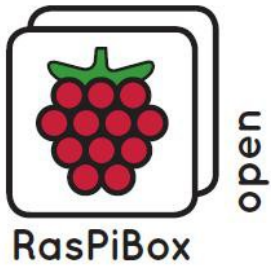
### 3 ways to power a Raspberry Pi with RasPiBox

#### 1.1 External 5V DC Power Supply (quick & dirty)



#### 1.2 External 5V DC Power Supply (more professional)





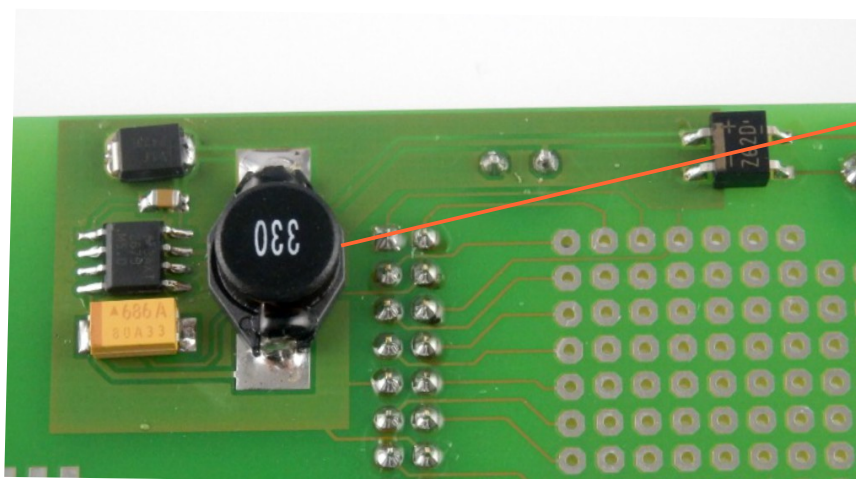
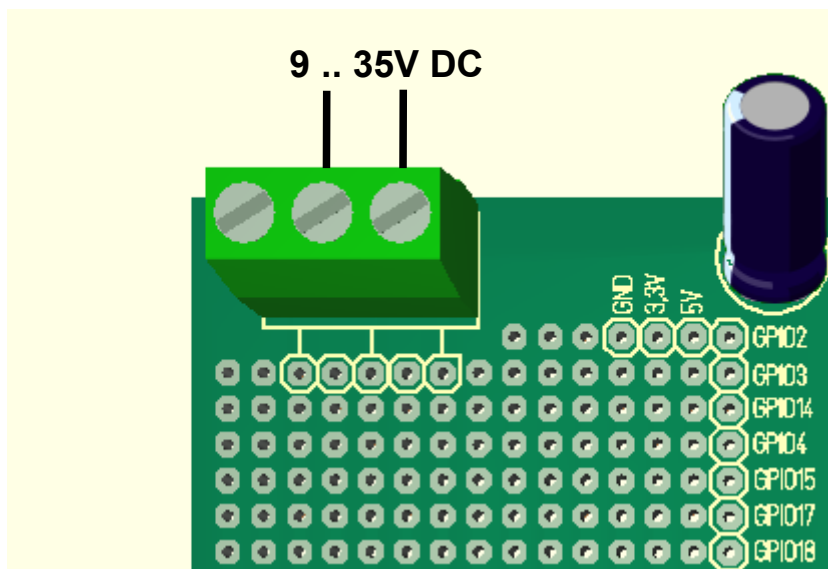
# RaspiBox Open Plus

## Application Note

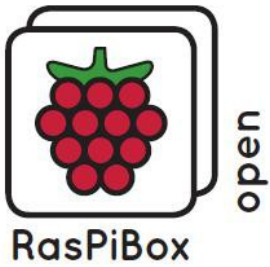
### 3 ways to power a Raspberry Pi with RasPiBox

#### 2 Internal voltage regulator (recommend)

The RasPiBox pcb contains a circuit for a **5V / 1A voltage regulator**. You can supply the Raspberry Pi and your own circuit with this voltage regulator.



Voltage Regulator Circuit on the backside



# RaspiBox Open Plus

## Application Note

### 3 ways to power a Raspberry Pi with RasPiBox

#### 3 Third party voltage regulator module

If you want an integrated solution with more as 1A output current, It's possible to solder an external 3<sup>rd</sup> party voltage regulator to the breadboard area.

