

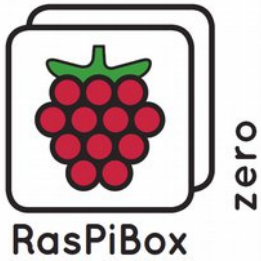
# RasPiBox Zero Lite

## Cap rail enclosure set for Raspberry Pi Zero



### Features enclosure and pcb:

- milled **cab rail enclosure** (3 modules)
- for EN50022 DIN rails
- Optional Integrated **5V/1A voltage regulator** (Vin 9...35V DC)
- Optional USB-A socket to connect the USB of the PiZero with the world outside
- Integrated **prototyping area**
- 2x 2-pin terminal blocks for prototyping
- Marked and connected GPIO & power pins beside the proto area
- 1x 2-pin terminal block for power supply
- **for Raspberry Pi Zero only**
- Vented cover to allow through air flow



# RasPiBox Zero Lite

## Cap rail enclosure set for Raspberry Pi Zero

---

### Enclosure:

- Outside dimensions: 53,5mm x 90mm x 58mm (W x H x D)
- Breadboard area: 35mm x 58mm (W x H)
- Material: Polycarbonate UL 94 V-0
- Finish top shell: RAL 7035 light grey
- Finish bottom shell: RAL 7016 anthracite grey

### Features optional voltage regulator:

- Input voltage: 15 – 30V DC
- Output voltage: 5V / 1A DC

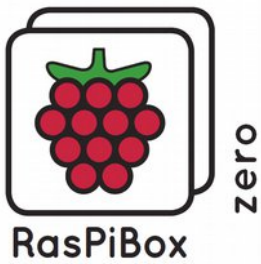
### Part number table:

Description	Part-No.
without voltage regulator & USB-A	RasPiBox Zero Lite Basic
Includes voltage regulator & USB-A	RasPiBox Zero Lite Standard

Both optional available with top shell with transparent window

### Applications :

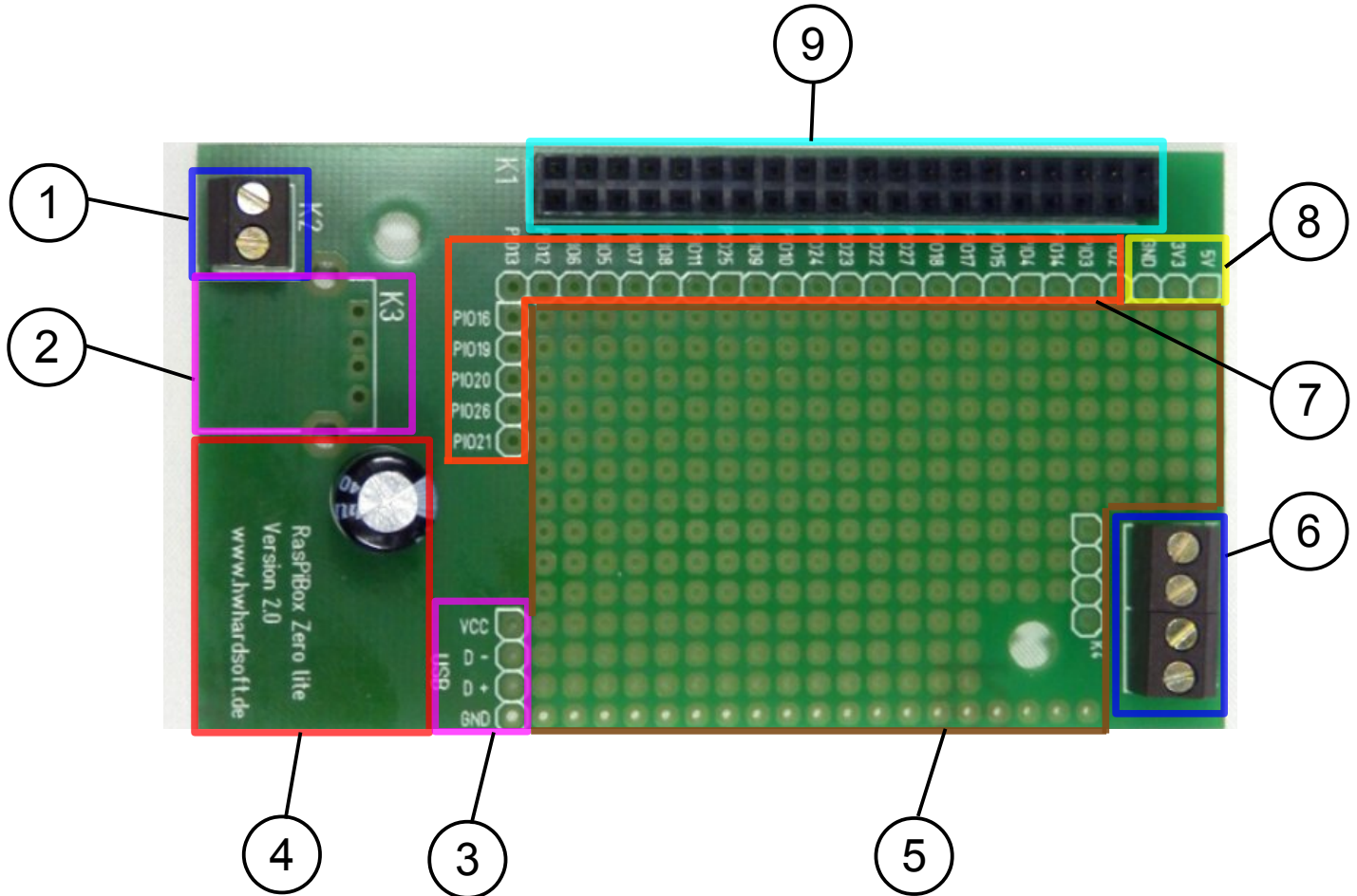
- Home automation
- Industrial control
- Door access and door control
- Temperature controls
- Education
- Internet of Things (IoT)



# RasPiBox Zero Lite

## Cap rail enclosure set for Raspberry Pi Zero

### Features main board:



- ① Terminals power supply
- ② Optional USB-A socket
- ③ USB cable to Raspberry Pi Zero
- ④ voltage regulator
- ⑤ Breadboard / proto board area
- ⑥ Terminals for proto board
- ⑦ GPIO pins for proto board
- ⑧ Power pins (5V, 3,3V, GND) for proto board
- ⑨ Header for Raspberry Pi Zero