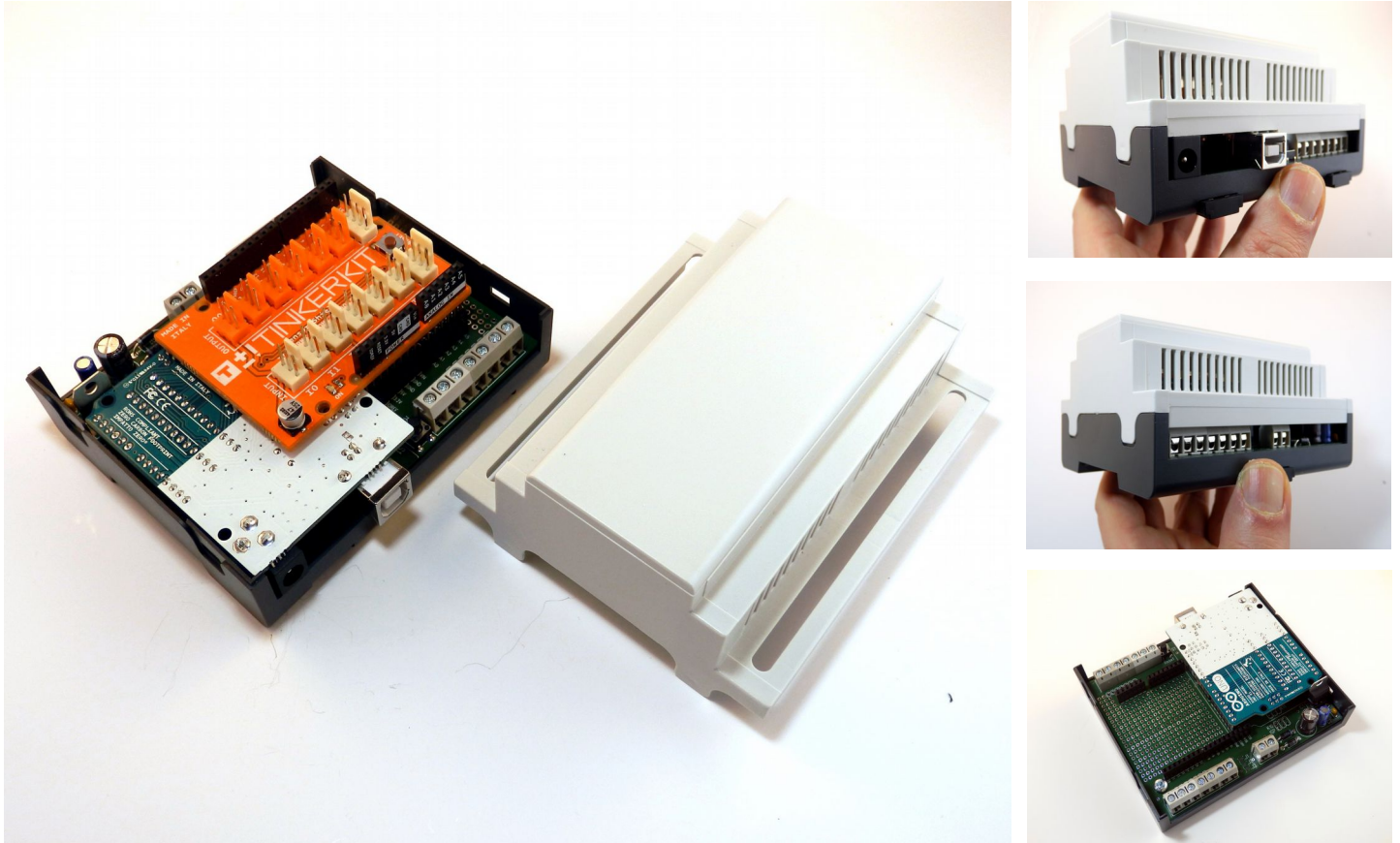


# Arduibox Open

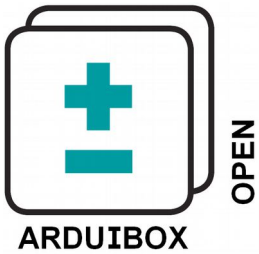
DIN rail / cap rail enclosure set for Arduino UNO



## Features enclosure and prototyping board:

- milled cap rail enclosure (6 modules)
- for EN50022 DIN rails
- prototyping plate - fits perfectly in the enclosure
- 4x 2-pin terminal blocks
- 2x 3-pin terminal blocks
- sockets for the Arduino
- sockets for an optional Shield
- optional reset button (reachable via openings in the cover)
- pcb contains a layout for a voltage 12V/1A regulator
- for Arduino Uno, Zero, 101 and other compatibles
- Vented cover to allow through air flow

**MADE  
IN  
GERMANY**



# Arduibox Open

## DIN rail / cap rail enclosure set for Arduino UNO

---

### Enclosure:

- Outside dimensions: 107mm x 90mm x 58mm (W x H x D)
- Breadboard area: 37mm x 65mm (W x H)
- Material: Polycarbonate UL 94 V-0
- Finish top shell: RAL 7035 light grey
- Finish bottom shell: RAL 7016 anthracite grey

### Features optional voltage regulator:

- Input voltage: 15 – 30V DC
- Output voltage: 12V DC / 1A DC (Vin Arduino)

### Part number table:

Description	Part-No.
Without parts for voltage regulator	Arduibox Open Basic
including voltage regulator parts and reset button	Arduibox Open Standard

### Applications :

- Home automation
- Industrial control
- Door access and door control
- Temperature controls
- Education
- Internet of Things (IoT)



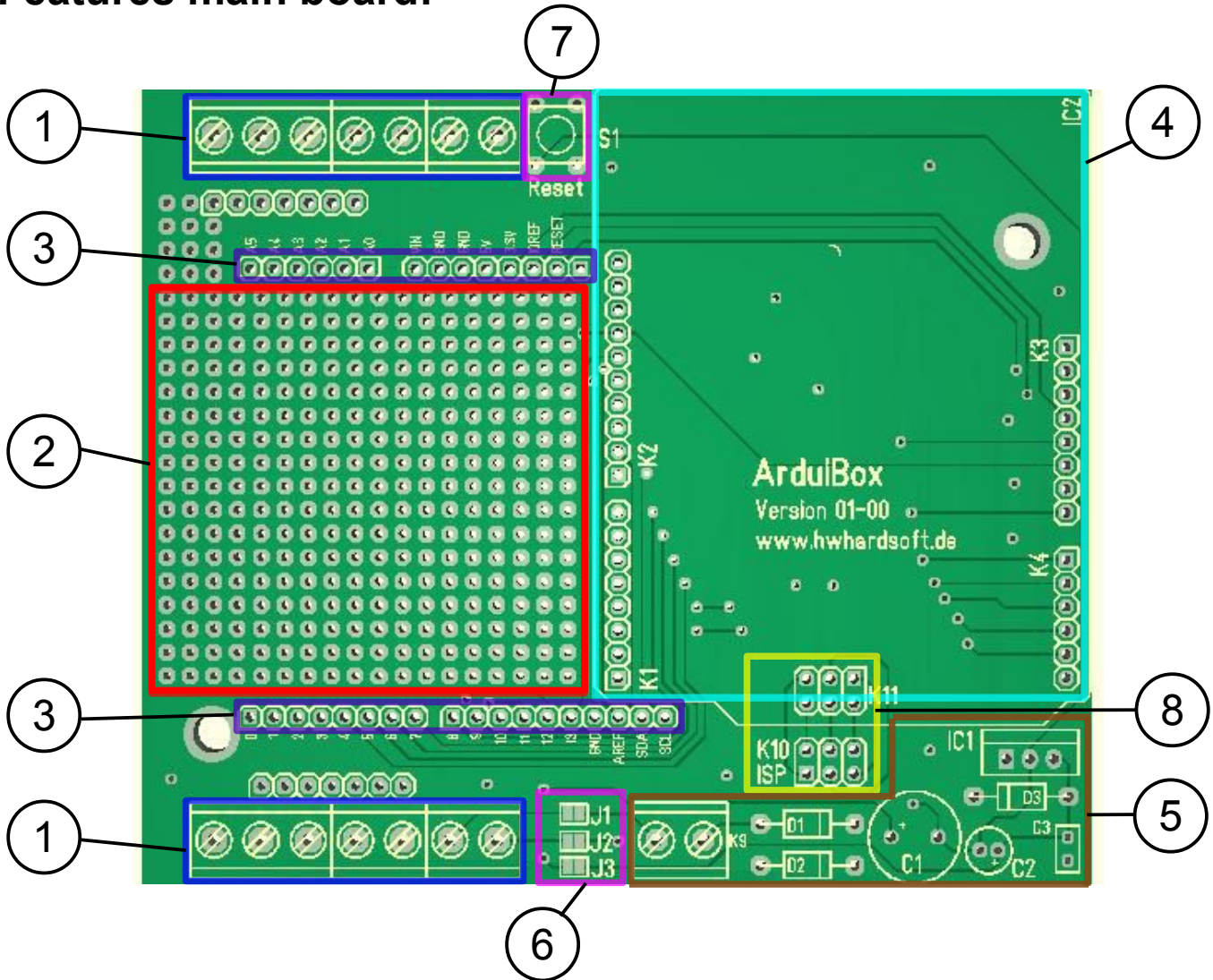
ARDUIBOX

OPEN

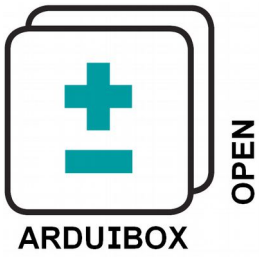
# ArduiBox Open

DIN rail / cap rail enclosure set for Arduino UNO

## Features main board:



- ① Terminals
- ② Breadboard / proto board area
- ③ sockets for optional shield
- ④ sockets for Arduino
- ⑤ optional voltage regulator parts
- ⑥ soldering jumper for basic kit
- ⑦ optional reset button
- ⑧ optional ISP connector for Arduino



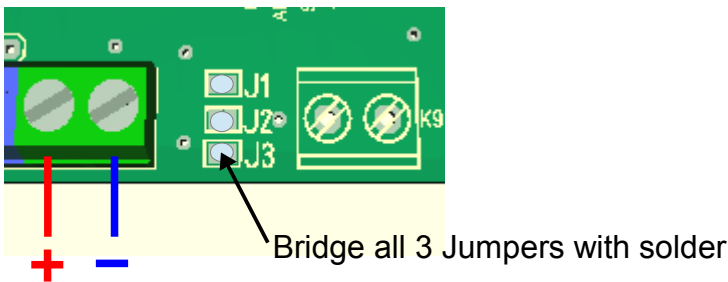
# ArduiBox Open

## DIN rail / cap rail enclosure set for Arduino UNO

---

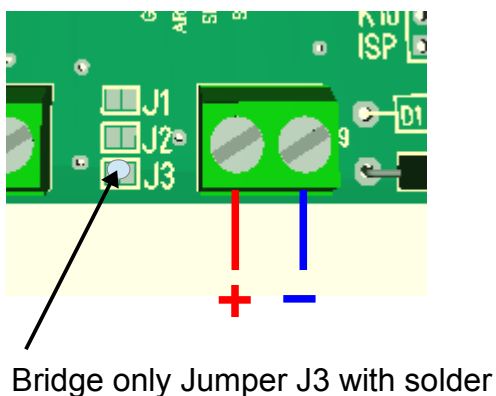
### Different ways for power supply of ArduiBox:

- 1.) Via the USB socket of the Arduino (5V DC from USB port)
- 2.) Via the DC socket of the Arduino (9...12V DC)
- 3.) Via the terminal K2 (9...12V DC) **for basic version only:**

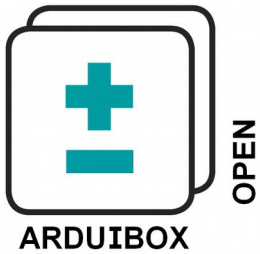


Note: You can't use the terminal for other purposes in this case

- 4.) Via the terminal K9 (9...12V DC) **for standard version only:**



Note: You have not to assemble the other parts of the voltage regulator

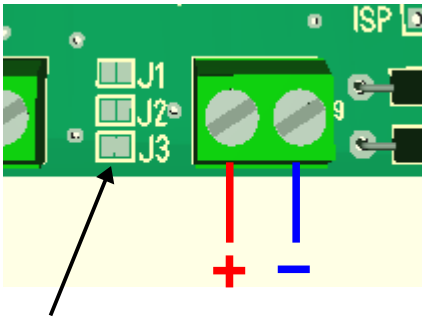


# ArduiBox Open

## DIN rail / cap rail enclosure set for Arduino UNO

---

5.) Via the terminal K9 (15...30V DC) for **standard version only**:



All 3 Jumpers are open!

Note: You have to assemble the voltage regulator in this case!

**For more Information please contact:**

**Hartmut Wendt**  
**Hard- & Softwareentwicklung**  
**Gartenstrasse 1**  
**14793 Ziesar**  
**Germany**

**info@hwhardsoft.de**  
**www.hwhardsoft.de**