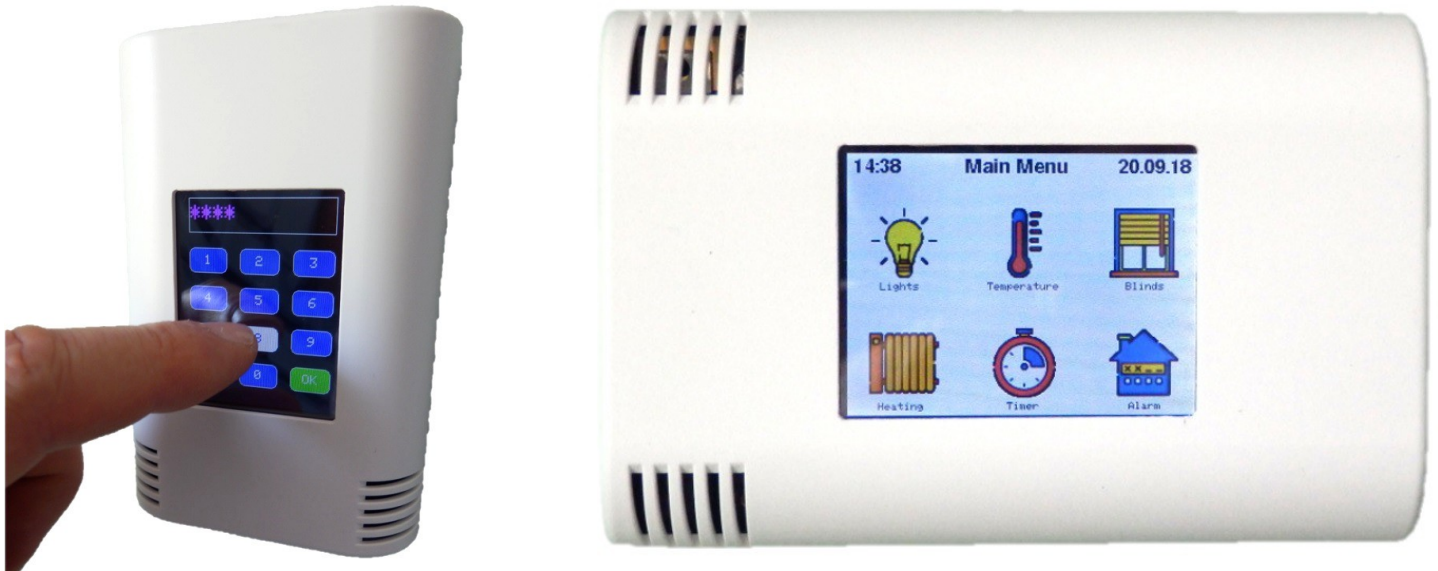


ArduiTouch MKR

Top wall enclosure with touchscreen for Arduino MKR series



Features enclosure and pcb:

- top wall mounting enclosure
- 2,4 inch (6,14 cm) tft screen with 320 x 240 pixel resolution
- SPI display controller ILI9341
- Resistive touch with SPI touch controller XPT2046
- Integrated 5V/1.2A voltage regulator (Vin 9...35V DC)
- Integrated prototyping area
- 6-pin removable terminal block for prototyping area & power supply
- Marked and connected GPIO & power pins beside the proto area
- Integrated piezo beeper
- Plug-in positions for Arduino MKR board and MKR shield
- Vented cover to allow through air flow
- Pcb breakthroughs for cables of antenna and lithium battery

ArduiTouch MKR

Top wall enclosure with touchscreen for Arduino MKR series

Enclosure:

- Outside dimensions: 120mm x 80mm x 35mm (W x H x D)
- Breadboard area: 21mm x 75mm (W x H)
- Material: ABS
- Finish top shell: white
- Finish bottom shell: white

Features voltage regulator:

- Input voltage: 15 – 30V DC
- Output voltage: 5V / 1.2A DC

Compatibility :

Arduino MKR boards:

MKR Zero



Wifi 1010



FOX 1200



WAN 1300



GSM 1400



NB 1500



Arduino MKR shields:

MKR 485



MKR ETH*



MKR CAN



MKR MEM



* MKR ETH shield needs additional mechanical post processing

ArduiTouch MKR

Top wall enclosure with touchscreen for Arduino MKR series

Part number table:

Part-No.	Version	Features
ARTHMB	Basic	- milled enclosure - pcb - 2x centipede But without electronic parts & touchscreen
ARTHMS	Standard	- milled enclosure - pcb - all electronic parts But without touchscreen
ARTHME	Extended	- milled enclosure - pcb - all electronic parts - touchscreen

Applications :

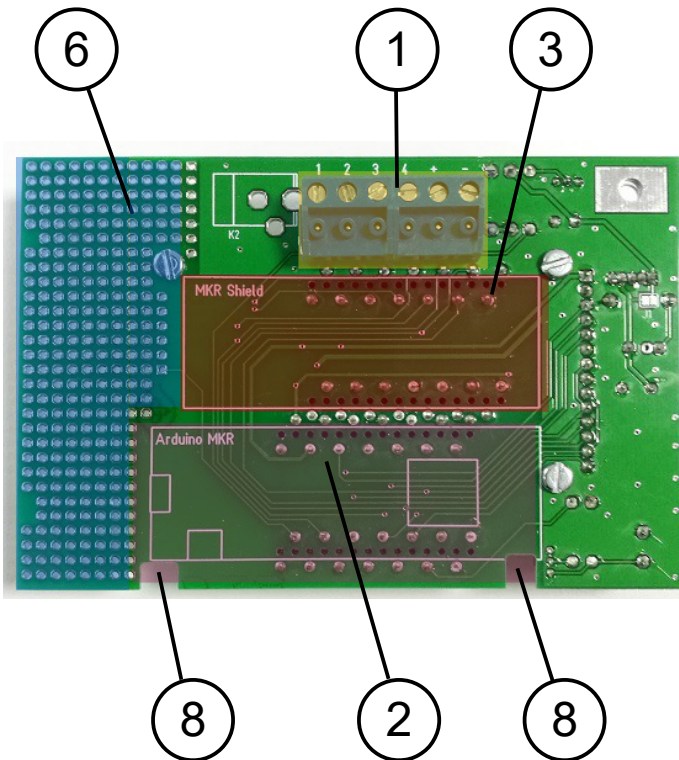
- Home automation
- Door access and door control
- HVAC applications
- Internet of Things (IoT)
- Intelligent wireless light switch
- Monitoring of sensor data
- Metering
- Intruder alarm systems

ArduiTouch MKR

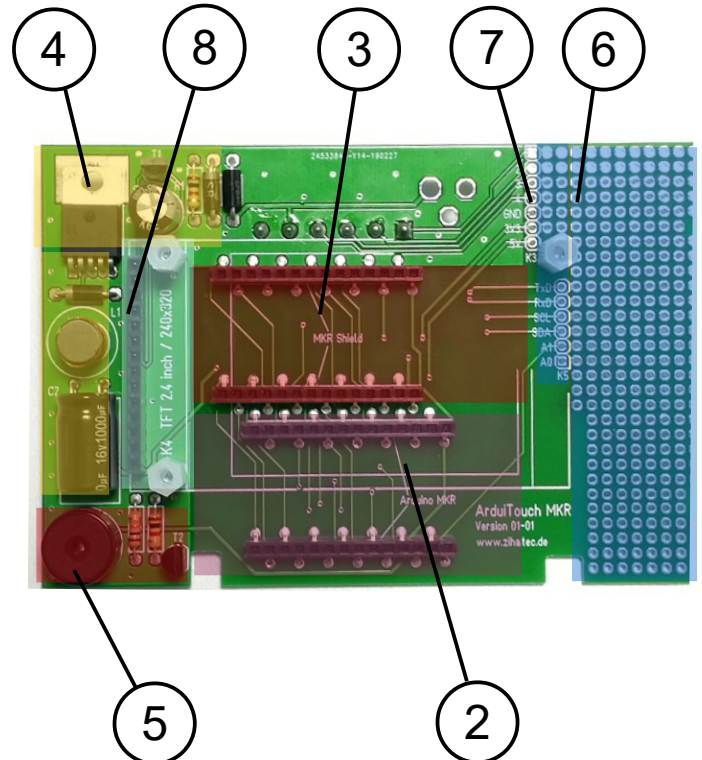
Top wall enclosure with touchscreen for Arduino MKR Series

Features main board:

Backside



Frontside



- ① Terminal for power supply & proto board
- ② Plug-in slot for Arduino MKR board
- ③ Plug-in slot for Arduino MKR shield
- ④ Voltage regulator (9..35V V_{in} / 5V V_{out})
- ⑤ Piezo beeper
- ⑥ Breadboard / proto board area
- ⑦ GPIO pins for proto board
- ⑧ Header for touch screen
- ⑨ breakthroughs for cables of antenna and lithium battery