

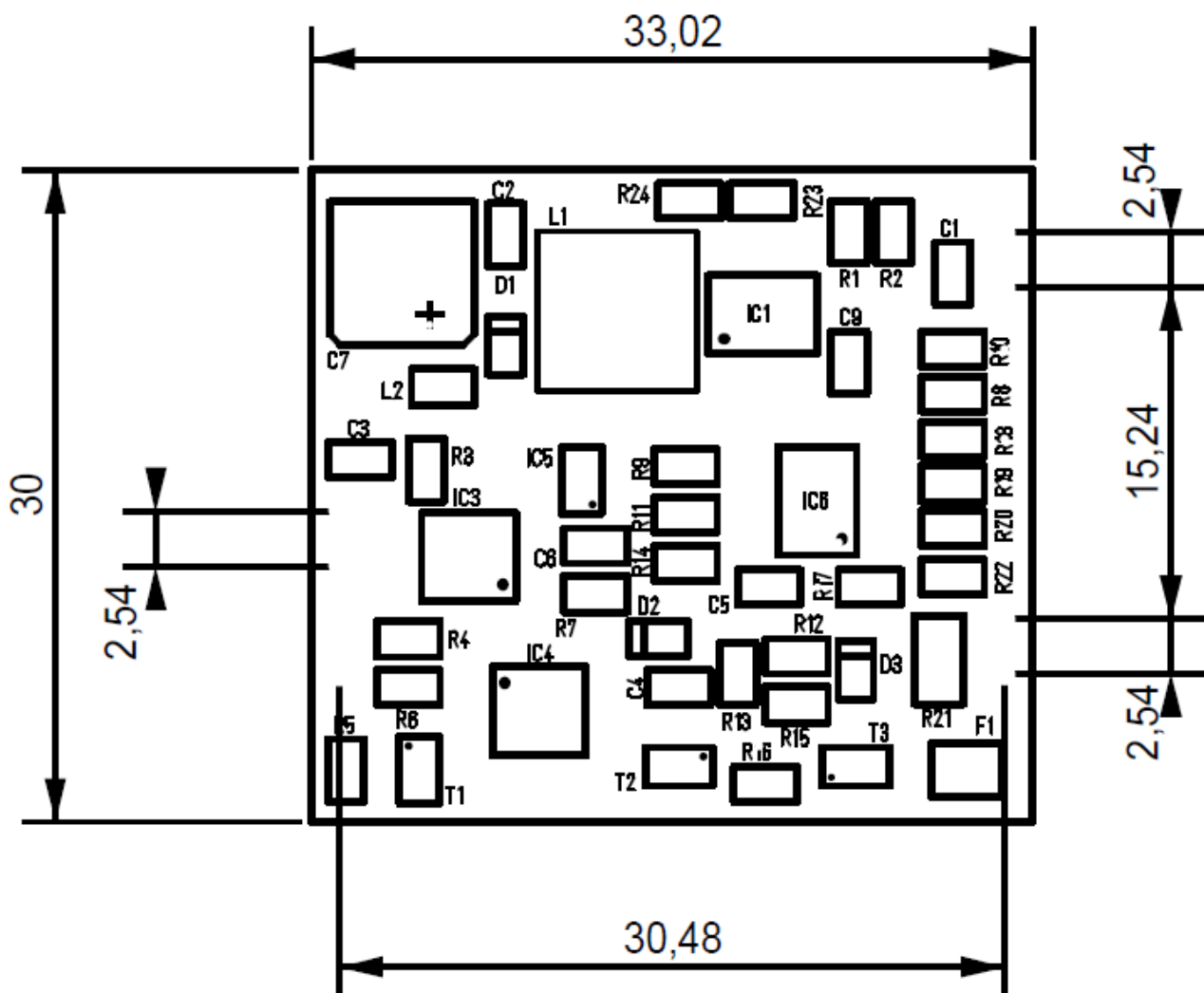
Features:

- M-Bus (Meter-Bus) master
- Compatible to European standard EN 13757-2
- For the remote reading of consumption meters
- For up to 6 unit-loads (9mA)
- for integration in your own projects
- Galvanically isolated interface
- Soldered male headers
- dimensions 33mm x 30mm x 12mm

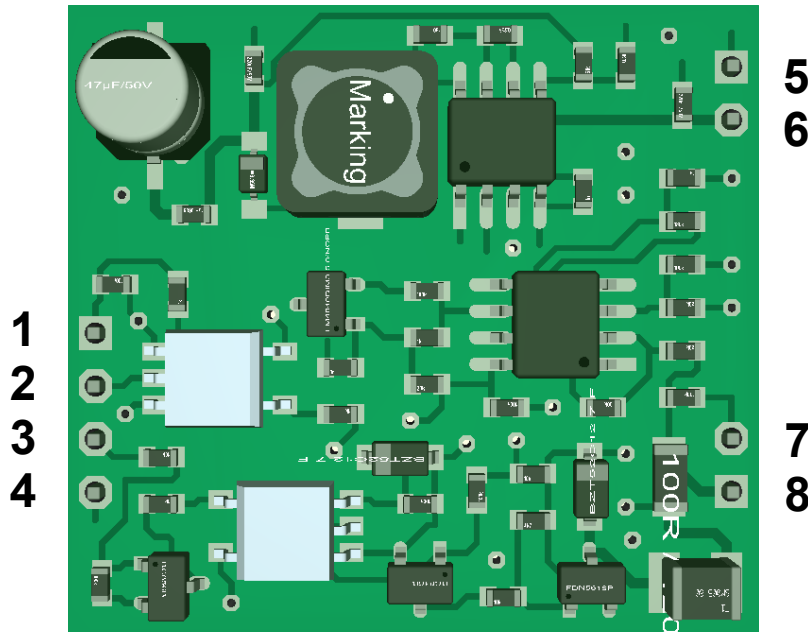
Part number table:

Part-No.	EAN	Version
MBMOD	---	MBUS Master module with soldered male headers

Dimensions:



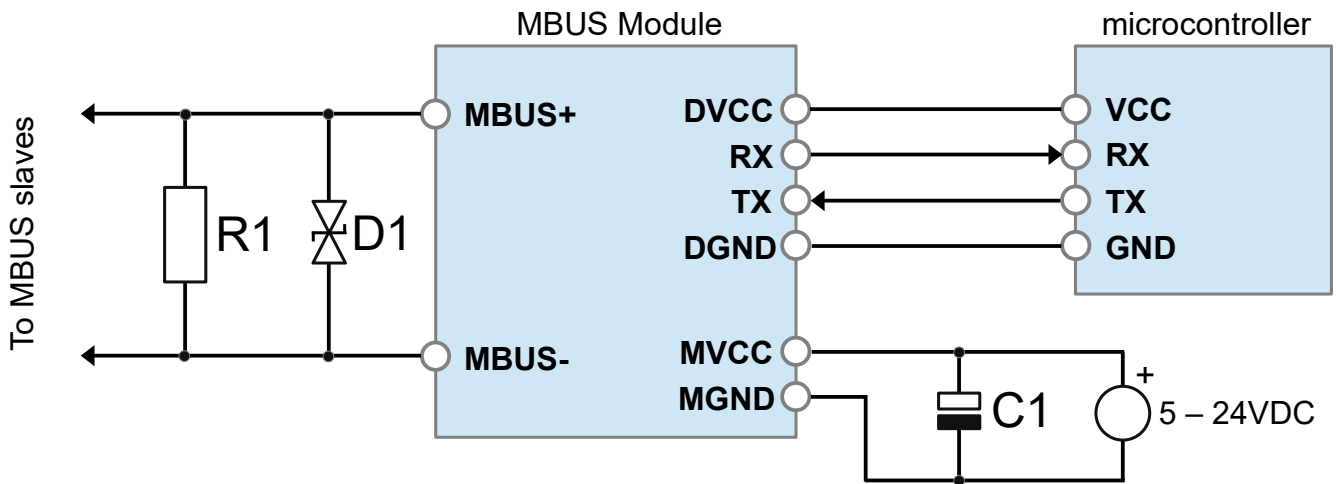
Pins:



Pin	Name	Description
1	DVCC	Digital power supply 3.3 – 5 VDC
2	RX	Isolated MBUS data output
3	TX	Isolated MBUS data input
4	DGND	Digital Ground
5	MGND	M-BUS Ground (for power supply)
6	MVCC	MBUS power supply 5 – 24 VDC
7	MBUS-	MBUS output (Ground)
8	MBUS+	MBUS output (36V)

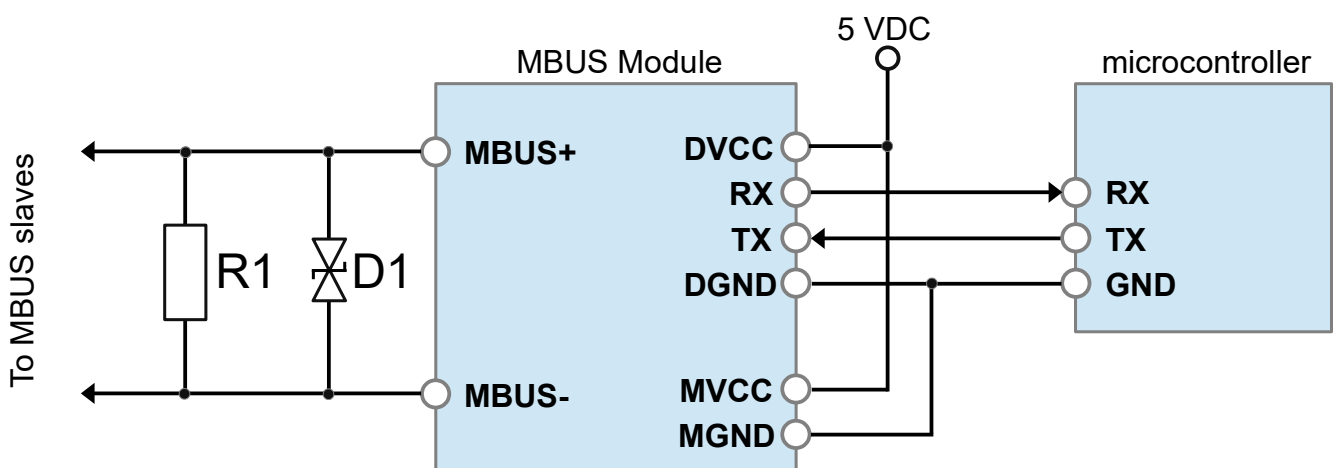
Wiring:

a) *Recommend (with isolation)*



R1 - 1MΩ
D1 - SM6T39CA
C1 - 47µF/50V

b) *Minimal (without isolation)*



R1 - 1MΩ
D1 - SM6T39CA